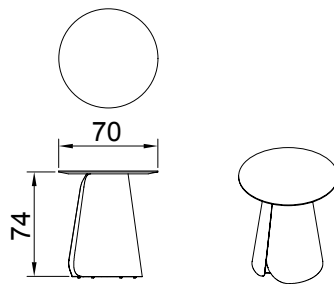


Dimensions in cm /

Tata 70**Top**

Wood Cat A
 Wood Cat B
 Wood Cat C
 Lacquered
 Microcement
 Carrara
 Terrazo

**Base**

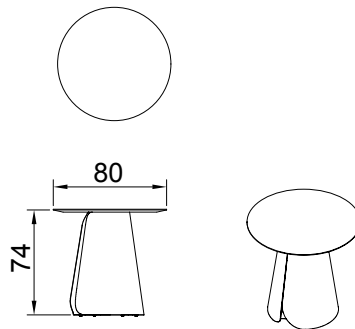
Epoxy Lacquer
 Brushed Inox
 Gold Mate Inox
 Old Gold Inox



The base is made with a folded metal plate, and only a small opening is visible. You can have your TATA in Lacquered Metal or Stainless Steel, which is manually brushed to give it an industrial and sophisticated look. with the ton sur ton wooden look for extra elegance. The base is always in wood veneer with option in natural or stained oak, walnut or lacquer.

Tata 80**Top**

Wood Cat A
 Wood Cat B
 Wood Cat C
 Lacquered
 Microcement
 Carrara
 Terrazo

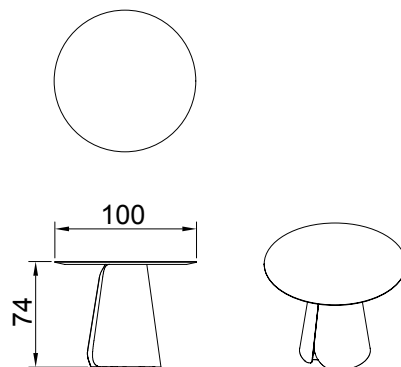
**Base**

Epoxy Lacquer
 Brushed Inox
 Gold Mate Inox
 Old Gold Inox

+ info
www.hmdfurniture.com

**Tata 100****Top**

Wood Cat A
 Wood Cat B
 Wood Cat C
 Lacquered
 Microcement
 Carrara
 Terrazo

**Base**

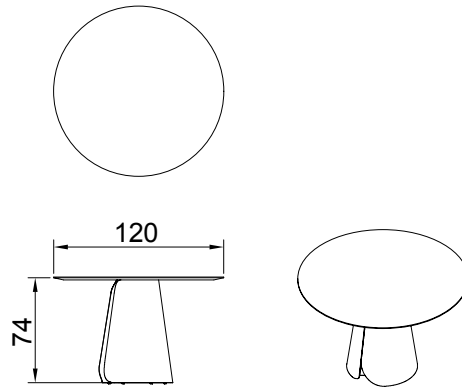
Epoxy Lacquer
 Brushed Inox
 Gold Mate Inox
 Old Gold Inox

Dimensions in cm /

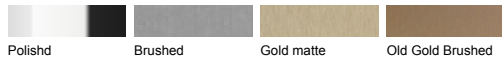
Tata 120

Top
 Wood Cat A
 Wood Cat B
 Wood Cat C
 Lacquered
 Microcement
 Carrara
 Terrazo

Base
 Epoxy Lacquer
 Brushed Inox
 Gold Mate Inox
 Old Gold Inox



Inox



Microcement



Wood Veneer Options
 Depending on the furniture piece you choose, the intensity of the varnish may vary. Sometimes it may have a more matte finish, while other times it could be shinier.



Suggested RAL colors
 Other colors upon request

